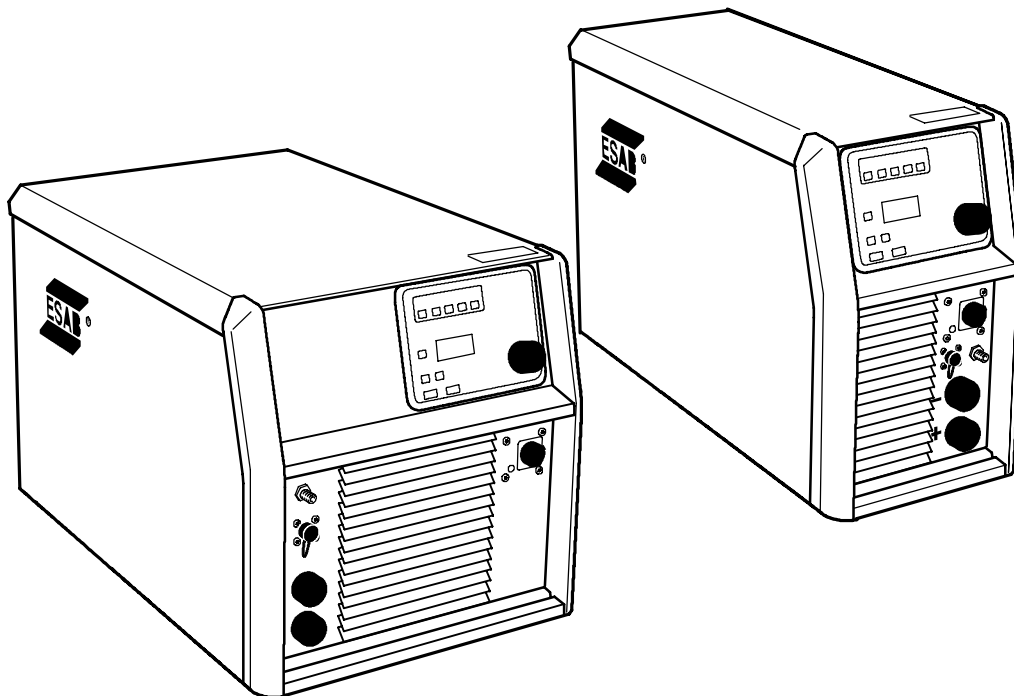


Spare parts list

Edition 080910



Valid for serial no. 612-xxx-xxx, 802-xxx-xxxx

Ordering no. Product

0459 745 880 Origo™ Tig 3000i, TA24

0459 745 881 Origo™ Tig 3000i, TA23

0459 735 880 Origo™ Tig 3000i AC/DC, TA24 AC/DC

0459 839 003 Spare parts list for Origo™ TA23, Origo™ TA24 and Origo™ TA24 AC/DC

Spare parts are to be ordered through the nearest ESAB agency. Kindly indicate type of unit, serial number, denominations and ordering numbers according to the spare parts list.

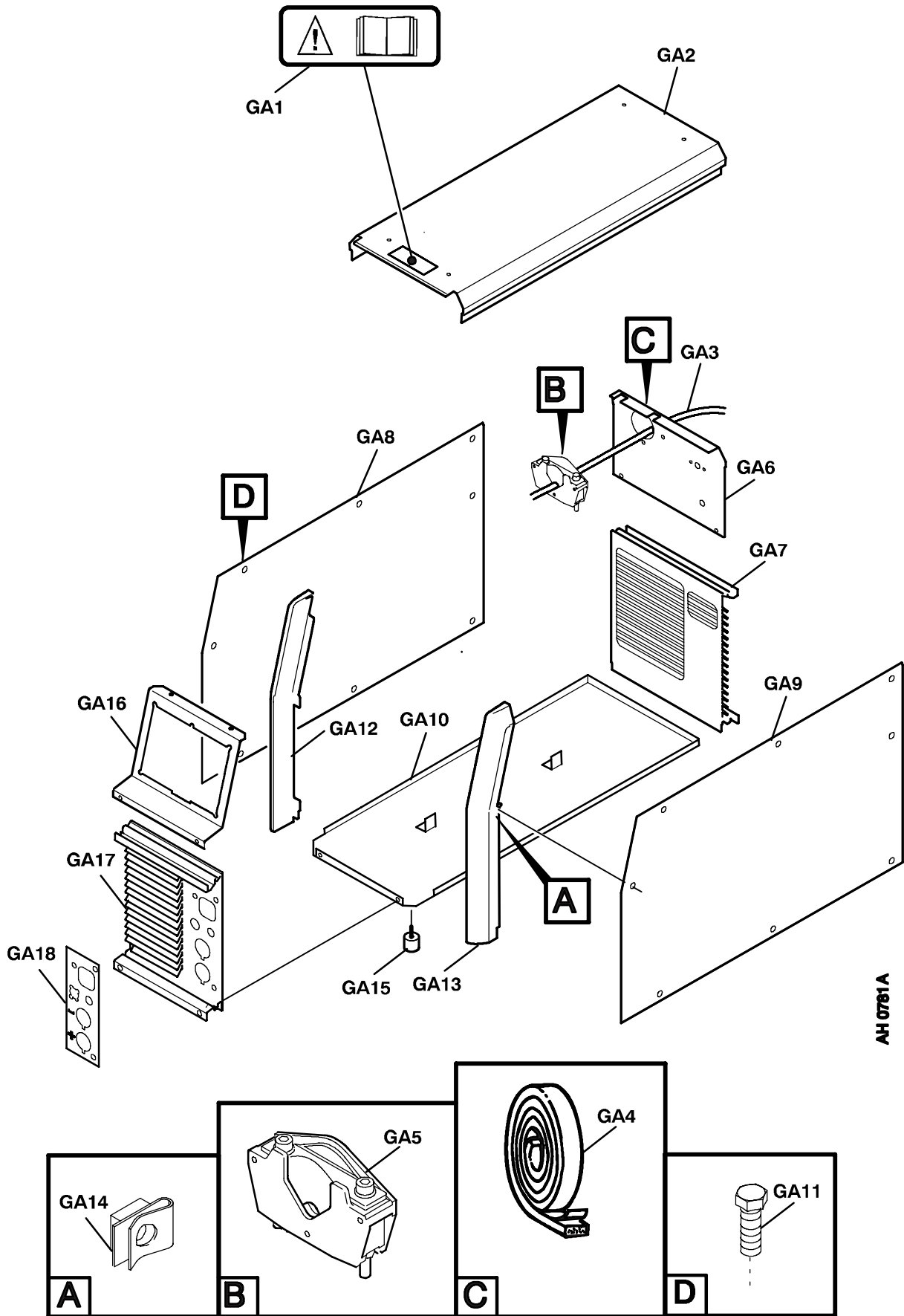
Maintenance and repair work should be performed by an experienced person, and electrical work only by a trained electrician. Use only recommended spare parts.

Rights reserved to alter specifications without notice.

Tig 3000i

Item	Qty	Ordering no.	Denomination	Notes
GA1	1	0458 950 001	Sign	
GA2	1	0459 718 001	Cover	
GA3	1	0459 787 880	Mains cable	4x2.5mm ²
GA4	1	0192 526 002	Sealing strip	L=1.3m, to be ordered per metre
GA5	1	0469 950 880	Cable inlet	
	3		Screw RXPT	8-16x12
GA6	1	0459 719 001	Rear plate	
GA7	1	0459 725 003	Profile	Rear
GA8	1	0459 720 002	Side panel	Left
GA9	1	0459 720 001	Side panel	Right
GA10	1	0459 724 001	Bottom plate	
GA11		0194 179 327	Screw MRT ground cutter	M5x12
GA12	1	0459 723 001	Front gable	Left
GA13	1	0459 722 001	Front gable	Right
GA14	6	0469 381 002	Fast lock nut	M5
GA15	4	0467 695 001	Rubber foot	
	4		Screw	M6x8
GA16	1	0459 726 001	Front	
GA17	1	0459 725 001	Profile	Front
GA18	1	0459 789 002	Sticker	

Tig 3000i

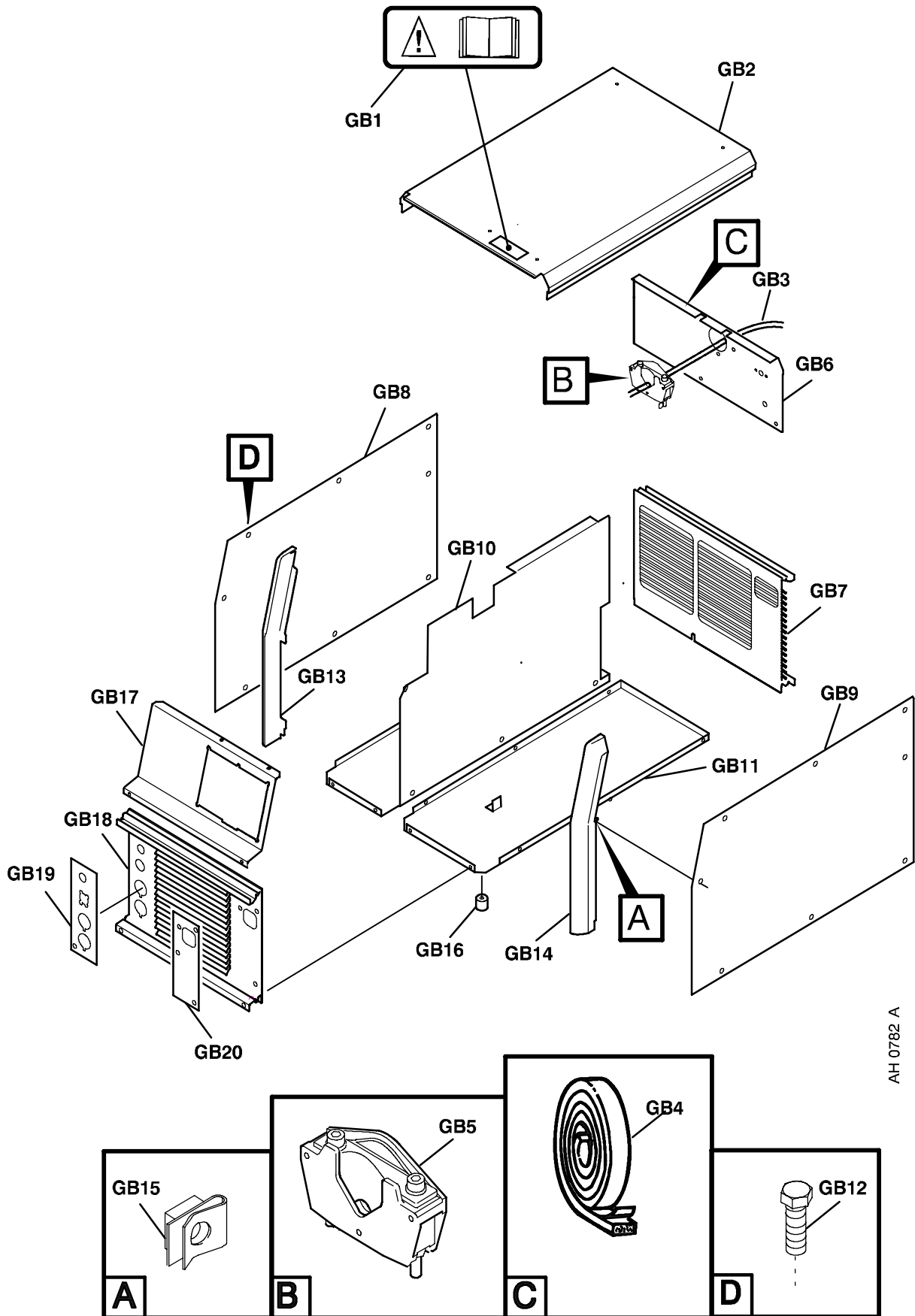


AH 0761A

Tig 3000i AC/DC

Item	Qty	Ordering no.	Denomination	Notes
GB1	1	0458 950 001	Sign	
GB2	1	0459 718 002	Cover	
GB3	1	0459 787 880	Mains cable	4x2.5mm ²
GB4	1	0192 526 002	Sealing strip	L=1.3m, to be ordered per metre
GB5	1	0469 950 880	Cable inlet	
	3		Screw RXPT	8-16x12
GB6	1	0459 719 003	Rear plate	
GB7	1	0459 725 005	Profile	Rear
GB8	1	0459 720 003	Side panel	Left
GB9	1	0459 720 001	Side panel	Right
GB10	1	0459 890 001	Middle / bottom plate	
GB11	1	0459 724 001	Bottom plate	
GB12		0194 179 327	Screw MRT ground cutter	M5x12
GB13	1	0459 723 001	Front gable	Left
GB14	1	0459 722 001	Front gable	Right
GB15	6	0469 381 002	Fast lock nut	M5
GB16	4	0467 695 001	Rubber foot	
	4		Screw	M6x8
GB17	1	0459 726 002	Front	
GB18	1	0459 725 004	Profile	Front
GB19	1	0459 789 004	Sticker	
GB20	1	0459 789 005	Sticker	

Tig 3000i AC/DC



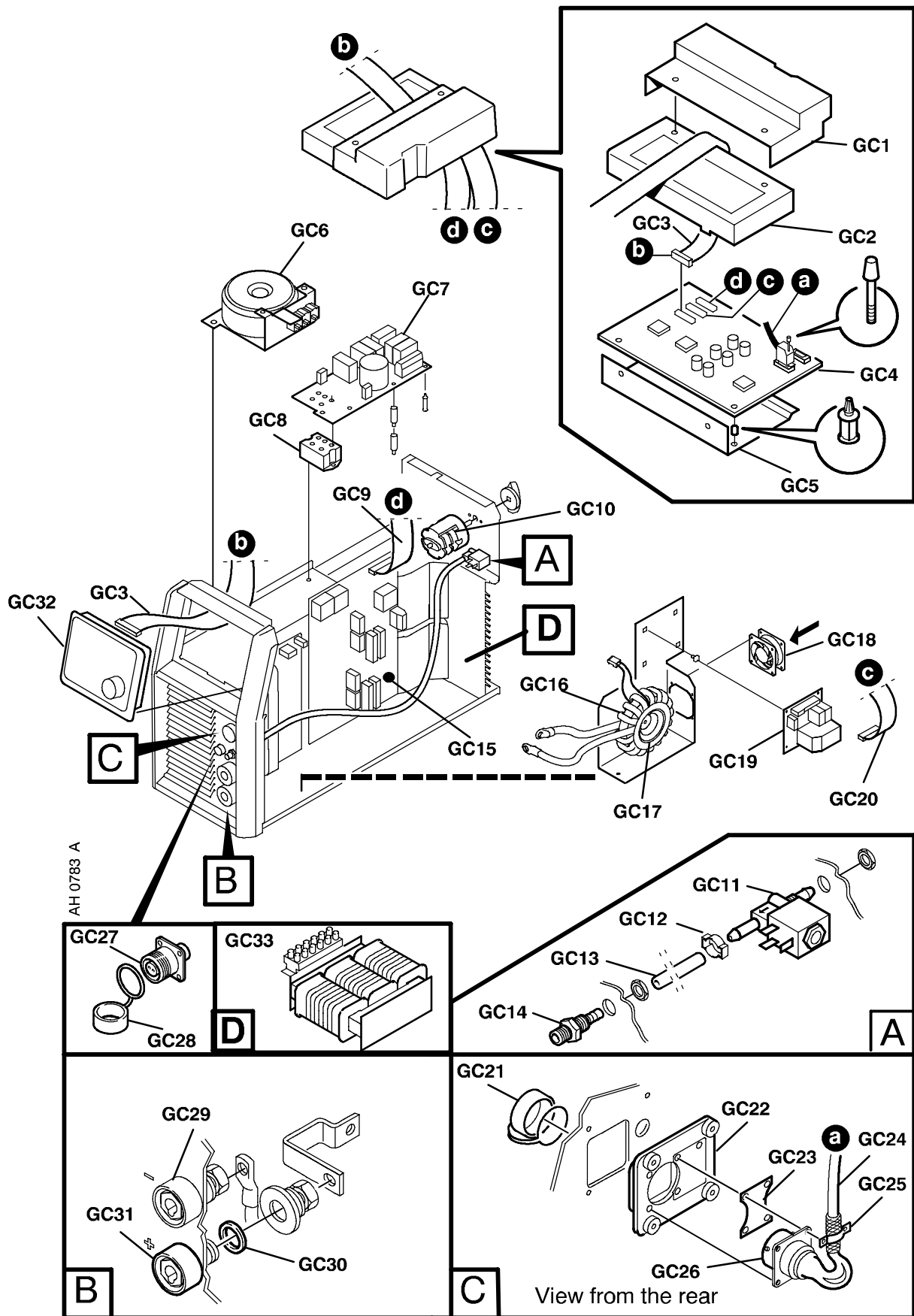
AH 0782 A

C = component designation in the circuit diagram

Item	Qty	Ordering no.	Denomination	Notes	C
GC1	1	0458 881 002	Protection cap		
GC2	1	0458 312 001	Screen box top		
GC3	1	0193 700 708	Ribbon cable with connectors	34 pole	1XS1, 1XS2
GC4	1	0487 201 882	Circuit board	Configured for Tig 3000i TA24	20AP1
	1	0487 201 892	Circuit board	Configured for Tig 3000i TA23	20AP1
GC5	1	0459 791 001	Screen box bottom		
GC6	1	0459 733 001	Control transformer		2TC1
-	4		Screw	M5x10	
-	1	-	Fuse	0.5 A slow	2FU1
-	1	-	Fuse	4 A slow	2FU3
-	1	-	Fuse	3.15 A slow	2FU2
-	1	-	Fuse	5 A slow	2FU4
GC7	1	0487 340 880	Circuit board	EMC	2AP1
GC8	1		Rectifier bridge	Included in item GC51	2BR1
GC9	1	0193 700 705	Ribbon cable with connectors	14 pole	13XP4, 13XP5
GC10	1	0455 158 001	Main switch with knob		2QF1
GC11	1	0193 054 007	Solenoid valve	With quick connection	10YV1
GC12	1	0368 978 008	Hose clamp	Ø11.3/10.8	
GC13	1	0456 496 001	Hose, red	L=0.6m, Ø9/5mm, to be ordered per metre	
GC14	1	0459 269 001	Gas connection		
GC15			Power module	See page 12	
GC16	1	0459 923 880	HF-coil, complete		10TV1
GC17	2	0460 035 001	Coil bracket		
GC18	1	0460 030 001	Fan		10EV1
GC19	1	0487 381 880	Circuit board	TIG	10AP1
GC20	1	0193 700 709	Ribbon cable with connectors	26 pole	10XS2, 10XS3
GC21	1	0366 285 001	Protection cap	12 pole	
GC22	1	0457 800 001	Insulation		
GC23	1	0457 799 001	Screen plate		
GC24	1	0458 681 883	Cable	With connector 20XP2	
GC25	1	0456 686 880	Clamp		
GC26	1	0368 544 003	Socket	12 pole	XS3
GC27	1	0538 500 902	Sleeve terminal	2 pole socket	XS4
GC28	1	0457 626 001	Protection cap		
GC29	1	0156 868 880	Welding connection	OKC socket, 1pole	XS2
GC30	1	0466 325 001	Gasket		
GC31	1	0160 362 881	Welding connection	OKC socket, 1 pole	XS1
GC32	1	0459 773 883	MMC module	TA24, see separate spare parts list	
	1	0459 773 884	MMC module	TA23, see separate spare parts list	
GC33	1	0460 119 002	Primary inductor	18 A, valid from serial no 802-xxx-xxxx	

SPARE PARTS SETS

Item	Ordering no.	Denomination	Notes
GC51	0458 920 881	Rectifier set	Includes item GC8 rectifier bridge, thermal compound, roller and mounting instruction.
	0458 910 002	Roller handle	For the roller in the spare parts set above



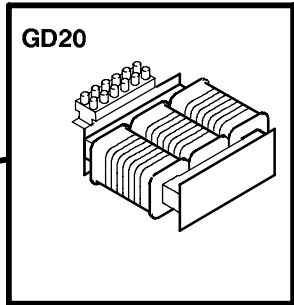
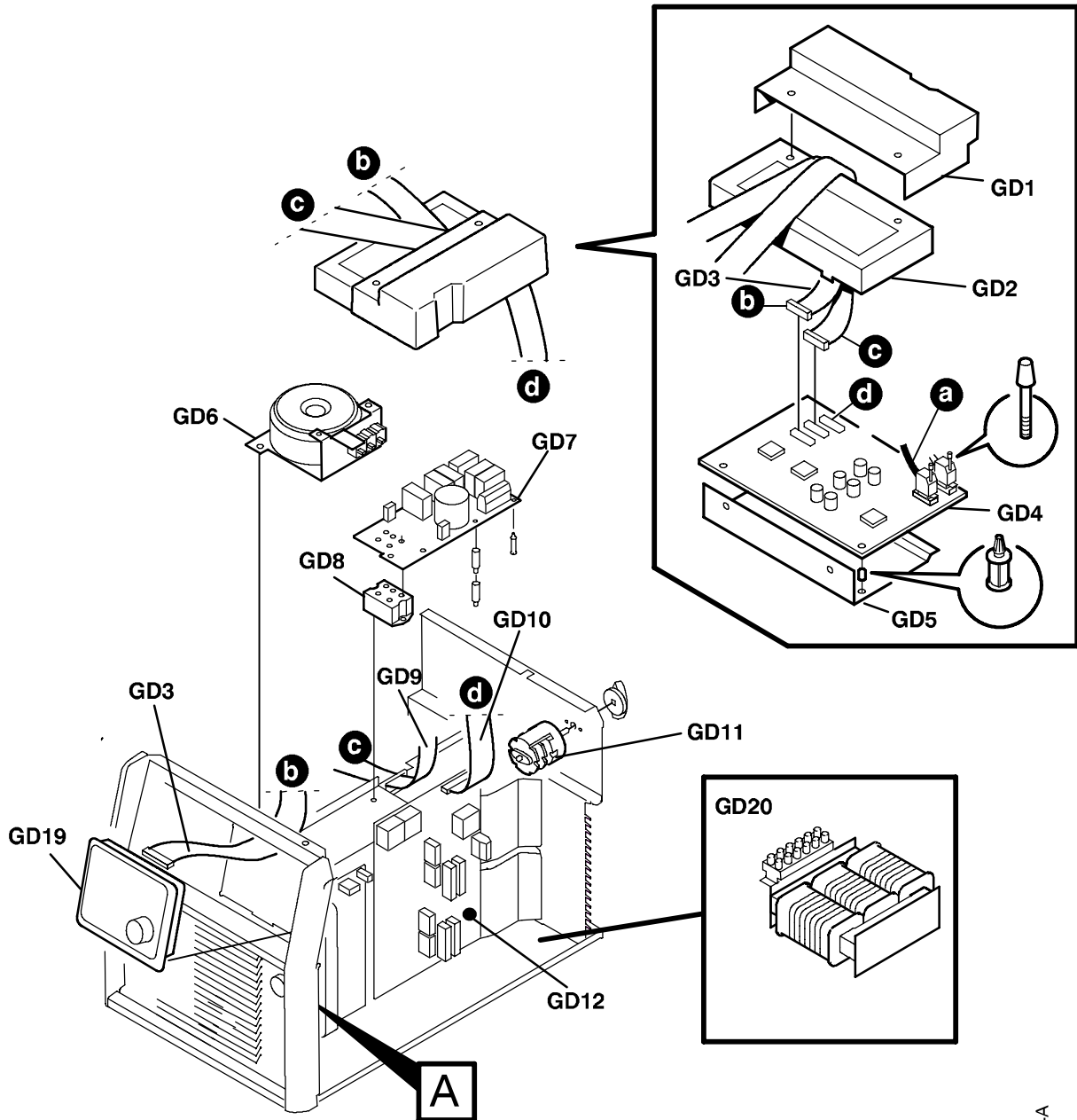
Tig 3000i AC/DC

C = component designation in the circuit diagram

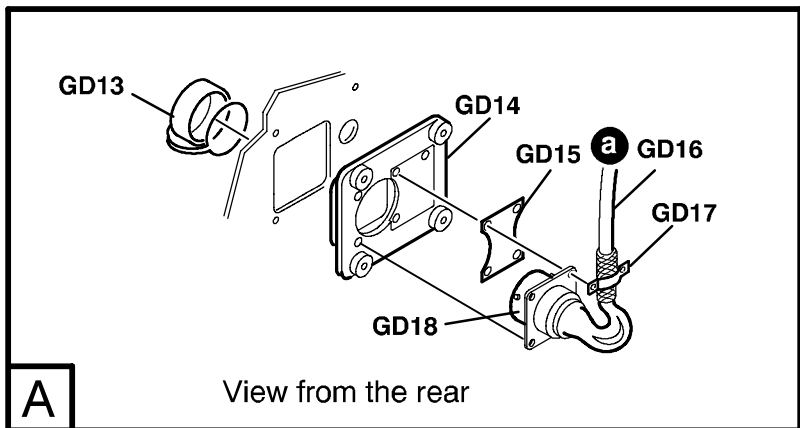
Item	Qty	Ordering no.	Denomination	Notes	C
GD1	1	0458 881 002	Protection cap		
GD2	1	0458 312 001	Screen box top		
GD3	1	0193 700 708	Ribbon cable with connectors	34 pole	1XS1, 1XS2
GD4	1	0487 201 891	Circuit board	Configured for Tig 3000i AC/DC TA24	20AP1
GD5	1	0459 791 001	Screen box bottom		
GD6	1	0459 733 001	Control transformer		2TC1
-	4		Screw	M5x10	
-	1	-	Fuse	0.5 A slow	2FU1
-	1	-	Fuse	4 A slow	2FU3
-	1	-	Fuse	3.15 A slow	2FU2
-	1	-	Fuse	5 A slow	2FU4
GD7	1	0487 340 880	Circuit board	EMC	2AP1
GD8	1		Rectifier bridge	Included in item GD51	2BR1
GD9	1	0193 700 709	Ribbon cable with connectors	26 pole	10XS2, 10XS3
GD10	1	0193 700 705	Ribbon cable with connectors	14 pole	13XP4, 13XP5
GD11	1	0455 158 001	Main switch with knob		2QF1
GD12			Power module	See page 12	
GD13	1	0366 285 001	Protection cap	12 pole	
GD14	1	0457 800 001	Insulation		
GD15	1	0457 799 001	Screen plate		
GD16	1	0458 681 883	Cable		
GD17	1	0456 686 880	Clamp		
GD18	1	0368 544 003	Socket	12 pole	XS3
GD19	1	0459 773 882	MMC module	T24 AC/DC, See separate spare parts list	
GD20	1	0460 119 002	Primary inductor	18A, valid from serial no 802-xxx-xxxx	

SPARE PARTS SETS

Item	Ordering no.	Denomination	Notes
GD51	0458 920 881	Rectifier set	Includes item GD8 rectifier bridge, thermal compound, roller and mounting instruction.
	0458 910 002	Roller handle	For the roller in the spare parts set above



AH 0784A

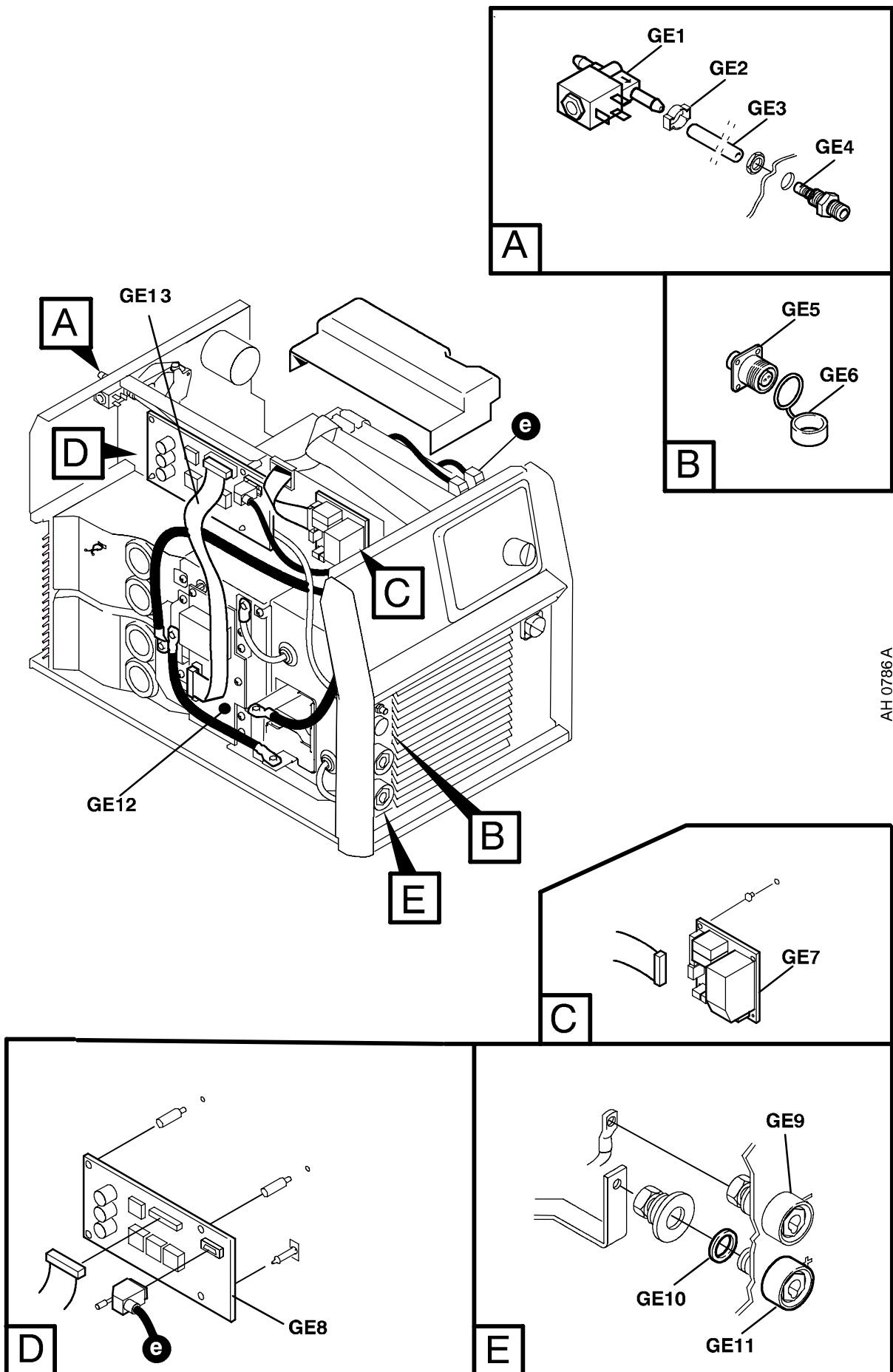


Tig 3000i AC/DC

C = component designation in the circuit diagram

Item	Qty	Ordering no.	Denomination	Notes	C
GE1	1	0193 054 007	Solenoid valve	With quick connection	10YV1
GE2	1	0368 978 008	Hose clamp	Ø11.3/10.8	
GE3	1	0456 496 001	Hose, red	L=0.6m, Ø9/5mm, to be ordered per metre	
GE4	1	0459 269 001	Gas connection		
GE5	1	0538 500 902	Sleeve terminal	2 pole socket	XS4
GE6	1	0457 626 001	Protection cap		
GE7	1	0487 381 880	Circuit board	TIG	10AP1
GE8	1	0487 331 880	AC control board		18AP1
GE9	1	0156 868 880	Welding connection	OKC socket, 1 pole	XS2
GE10	1	0466 325 001	Gasket		
GE11	1	0160 362 881	Welding connection	OKC socket, 1 pole	XS1
GE12			AC module	See page 14	
GE13	1	0193 700 710	Ribbon cable with connectors	40 pole	20XS1, 20XS2

Tig 3000i AC/DC



AH 0786A

Tig 3000i, Tig 3000i AC/DC

DC= Tig 3000i, AC/DC = Tig 3000i AC/DC

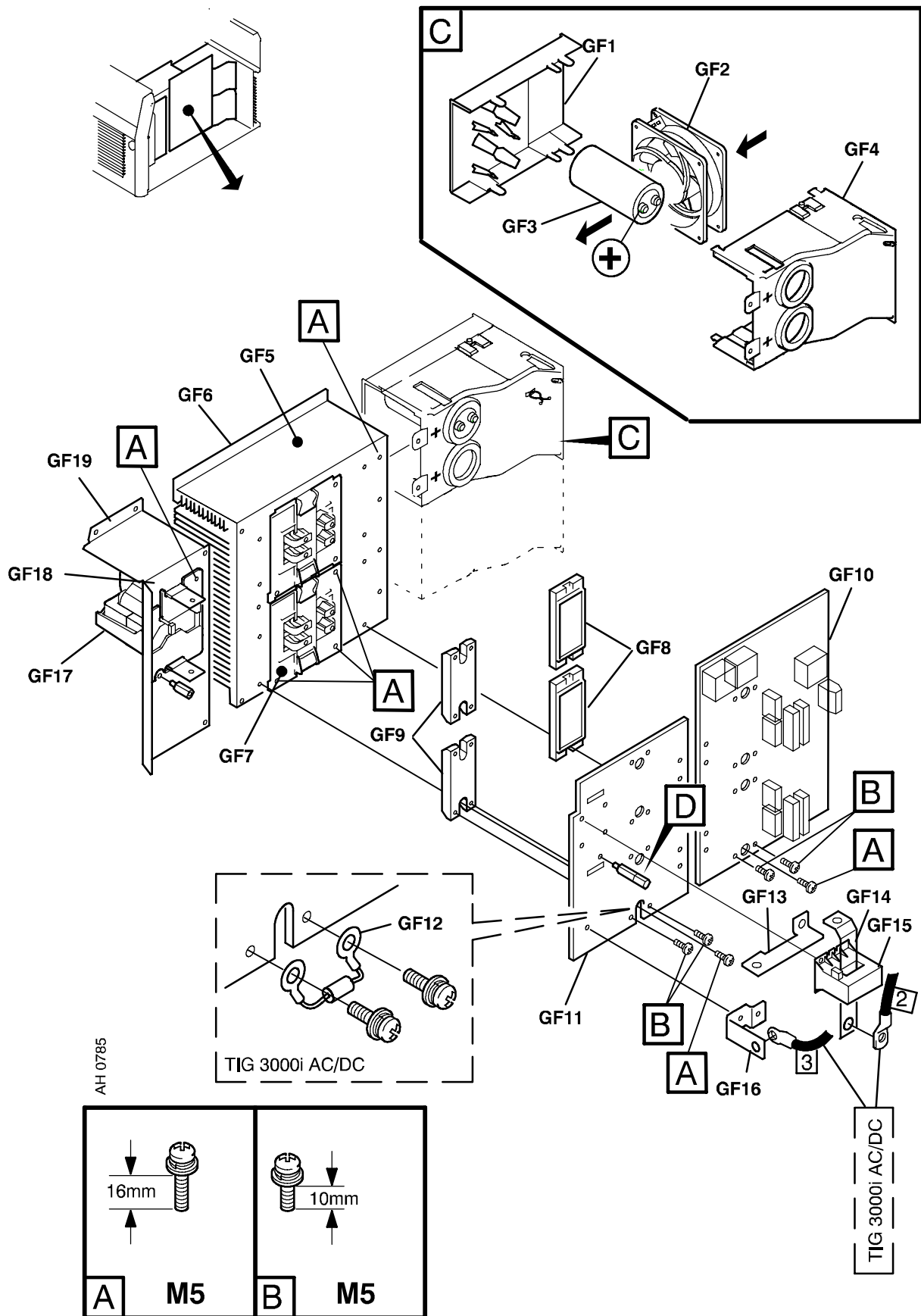
C = component designation in the circuit diagram

Item	Qty DC	Qty AC/DC	Ordering no.	Denomination	Notes	C
				Power module	Complete item GF1 - GF19	
GF1	2	2	0459 744 001	Air guide rear		
GF2	2	2	0467 801 002	Fan with cable		15EV1,15EV2
GF3	2	2	0194 158 002	Smoothing capacitor		15C1, 15C2
GF4	2	2	0459 743 001	Air guide front		
GF5	1	1	0459 728 001	Heat sink		
GF6	1	1	0192 526 002	Sealing strip	0.525m, to be ordered per metre	
GF7	2	2	0459 736 880	Transformer		15TM1, 15TM2
GF8	2	2		Primary module	Included in item GF50	IC3, IC8
GF9	2	2		Diode module	Included in item GF51	15D1, 15D2
GF10	1	1		Circuit board	Power board, Included in item GF50	15AP1
GF11	1	1	0487 325 880	Circuit board	Secondary board	15AP2
GF12	-	3	0459 963 880	Transient protection		15D3, 15D4, 15D5
GF13	1	1		Bar middle	Included in item GF52	
GF14	-	1		Bar	Included in item GF52	
GF15	1	1	0458 063 001	Current sensor		15AP3
GF16	1	1		Bar	Positive, Included in item GF52	
GF17	1	1	0459 751 880	Inductor secondary		15L3
GF18	1	1	0191 193 121	Tape	L=0.50m, to be ordered per metre	
GF19	1	1	0459 746 001	Bracket heatsink		

SPARE PARTS SETS

Item	Ordering no.	Denomination	Notes
GF50	0459 384 882	Power board set	Includes item GF8, GF10, screws, thermal compound and roller
GF51	0459 385 882	Diode module set	Includes item GF9, screws, thermal compound and roller.
GF52	0460 115 880	Bar kit	Includes item GF13, GF14 and GF16.

Tig 3000i, Tig 3000i AC/DC



Tig 3000i AC/DC

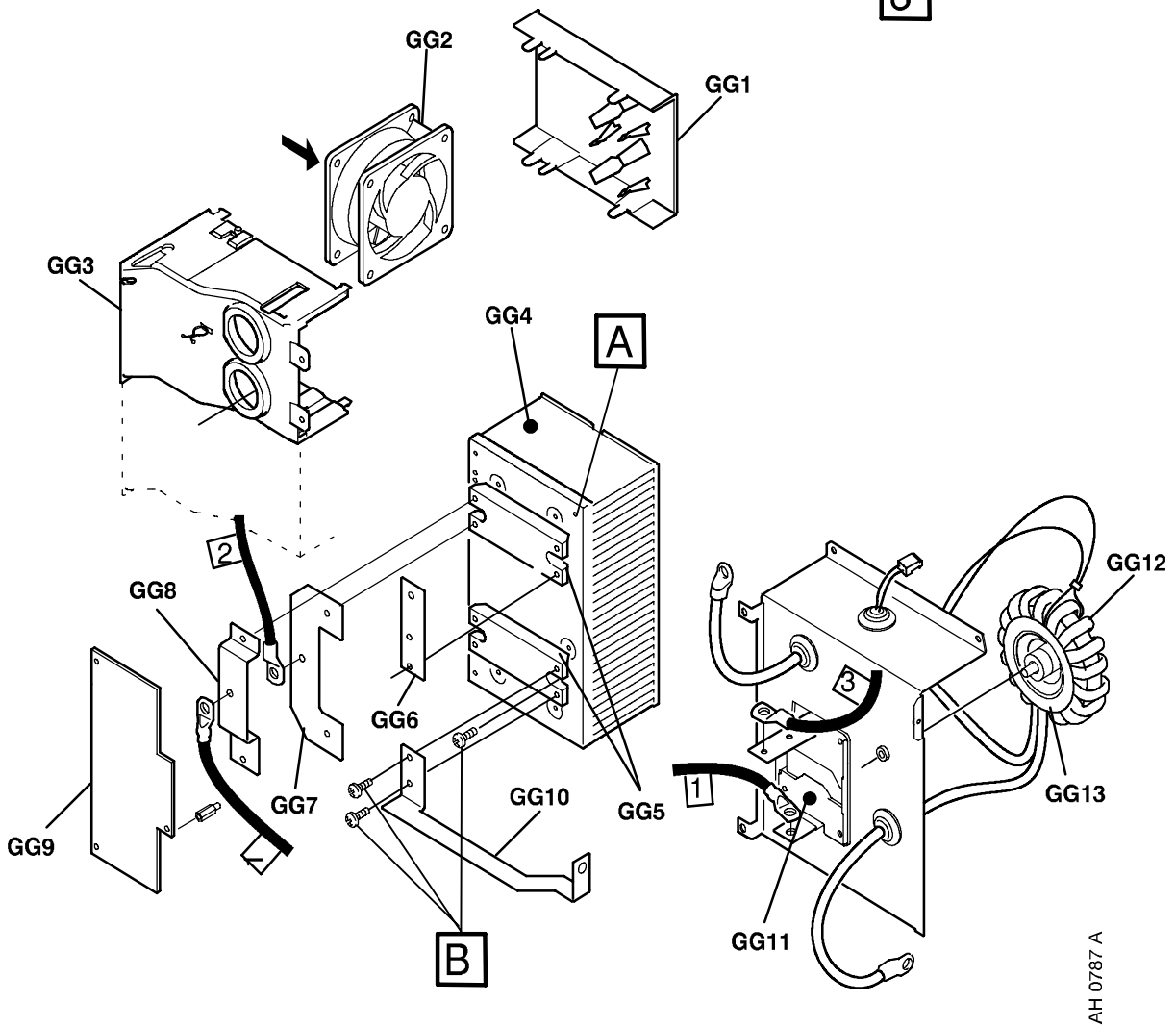
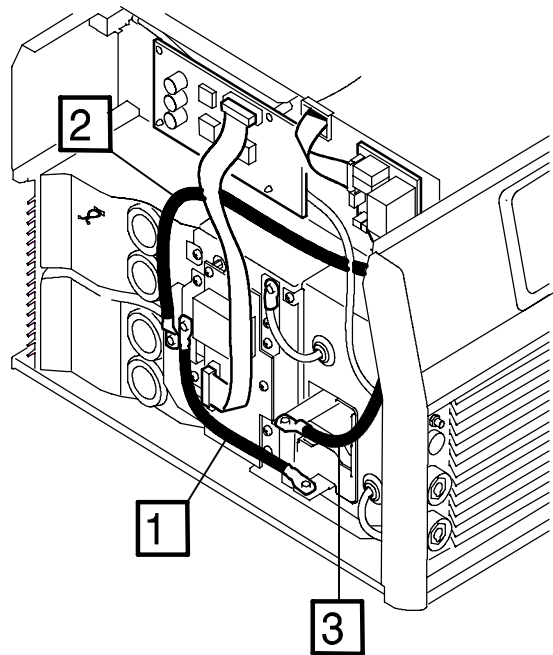
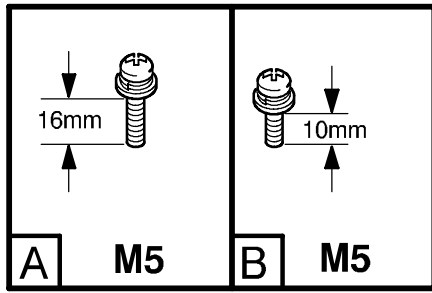
C = component designation in the circuit diagram

Item	Qty	Ordering no.	Denomination	Notes	C
			AC/DC module	Complete GG1 - GG13	
GG1	2	0459 744 001	Air guide rear		
GG2	2	0467 801 002	Fan with cable		18EV1,18EV2
GG3	2	0459 743 001	Air guide front		
GG4	1	0459 917 001	Heat sink		
GG5	2		AC-Tig module	Included in item GG50	IC1, IC2
GG6	1		Bar	Included in item GG51	
GG7	1		Bar	Negative, Included in item GG51	
GG8	1		Bar	Positive, Included in item GG51	
GG9	1	0487 353 880	Circuit board	AC Power board, Included in item GG50	18AP2
GG10	1		Bar	Included in item GG51	
GG11	1	0459 751 881	Inductor secondary		18L1
GG12	1	0459 923 880	HF-coil		10TV1
GG13	2	0460 035 001	Coil bracket		

SPARE PARTS SETS


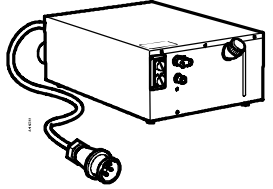
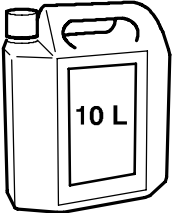



Item	Ordering no.	Denomination	Notes
GG50	0459 384 883	AC power board set	Includes item GG5, GG9, screws, thermal compound and roller
	0458 910 002	Roller handle	For the roller in the spare parts set above
GG51	0460 115 881	Bar kit	Includes item GG6, GG7, GG8 and GG10

Tig 3000i AC/DC





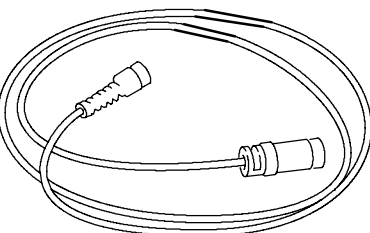



AH 0787 A

Accessories

	<p>Trolley 2 wheel 0459 366 890 Trolley 4 wheel 0460 060 880</p>
	<p>Cooling unit CoolMidi 1800 0459 840 880 Includes 5 m cable</p>
	<p>Coolant (Ready mixed) 50% water and 50% mono-ethylene glycol (10 l) 0007 810 012</p>
	<p>Remote control adapter RA12 12 pole 0459 491 910 For analogue remote controls to CAN based equipment.</p>
	<p>Remote control unit MTA1 CAN 0459 491 880 MIG/MAG: wire feed speed and voltage MMA: current and arc force TIG: current, pulse and background current</p>
	<p>Remote control unit M1 10Prog CAN 0459 491 882 Choice of on of 10 programs MIG/MAG: voltage deviation TIG and MMA: current deviation</p>

Tig 3000i, Tig 3000i AC/DC

	<p>Remote control unit AT1 CAN . . 0459 491 883 MMA and TIG: current</p>										
	<p>Remote control unit AT1 CF CAN 0459 491 884 MMA and TIG: rough and fine setting of current.</p>										
	<p>Remote control unit RAT1 CAN . 0459 491 912 For TIG-torch TXHr Including holder and 0.25 m cable</p>										
	<p>Remote control unit T1 Foot CAN 0460 315 880 Including 5 m cable</p>										
	<p>Remote cable CAN 4 pole - 12 pole</p> <table data-bbox="651 1032 1390 1211"> <tr> <td>5 m</td> <td>0459 554 880</td> </tr> <tr> <td>10 m</td> <td>0459 554 881</td> </tr> <tr> <td>15 m</td> <td>0459 554 882</td> </tr> <tr> <td>25 m</td> <td>0459 554 883</td> </tr> <tr> <td>0.25 m</td> <td>0459 554 884</td> </tr> </table>	5 m	0459 554 880	10 m	0459 554 881	15 m	0459 554 882	25 m	0459 554 883	0.25 m	0459 554 884
5 m	0459 554 880										
10 m	0459 554 881										
15 m	0459 554 882										
25 m	0459 554 883										
0.25 m	0459 554 884										
	<p>Return cable 5 m 50 mm² 0156 743 907</p>										

Information on Tig torches can be found in separate brochures.

